

Design of High-Performance Balanced Audio Interfaces

Bill Whitlock
Jensen Transformers, Inc.
9304 Deering Avenue
Chatsworth, CA 91311

High signal-to-noise ratio is an important goal for most audio systems. However, ac power connections unavoidably create ground voltage differences, magnetic fields, and electric fields. Balanced interfaces, in theory, are totally immune to such interference. For 50 years, virtually all audio equipment used transformers at its balanced inputs and outputs. Their high noise rejection was taken for granted and the reason for it all but forgotten. The transformer's extremely high common-mode impedance - about a thousand times that of its solid-state "equivalents" - is the reason. Traditional input stages will be discussed and compared. A novel IC that compares favorably to the best transformers will be described. Widespread misunderstanding of the meaning of "balance" as well as the underlying theory has resulted in all-too-common design mistakes in modern equipment and seriously flawed testing methods. Therefore, noise rejection in today's real-world systems is often inadequate or marginal. Other topics will include tradeoffs in output stage design, effects of non-ideal cables, and the "pin 1 problem."

INTRODUCTION

The task of transferring an analog audio signal from one system component to another while avoiding audible contamination is anything but trivial. The *dynamic range* of a system is the ratio, generally measured in dB, of its maximum undistorted output signal to its residual output noise or *noise floor*. Fielder has shown that up to 120 dB of dynamic range may be required in high-performance sound systems in typical homes. [1] The trend in professional audio systems is toward increasing dynamic range, fueled largely by increasing resolution in available digital converters. Analog *signals* accumulate **noise** as they flow through system equipment and cables. Once noise is added to a signal, it's essentially impossible to remove it without altering or degrading the original signal. Therefore, noise and interference must be prevented along the entire signal path. Of course, a predictable amount of random or "white" noise, sometimes called "the eternal hiss," is **inherent** in all electronic devices and must be expected. Excess random noise is generally a gain structure problem, a topic beyond the scope of this paper.

Ground noise, usually heard as hum, buzz, clicks or pops in audio signals, is generally the most noticeable and irritating — in fact, even if its level is significantly lower than background hiss, it can still be heard by listeners. Ground noise is caused by ground voltage differences between the system components. Most systems consist of at least two devices which operate on utility ac power. Although hum, buzz, clicks, and pops are often blamed on "improper grounding," in most cases there is actually nothing improper about the system grounding. To assure safety, all user accessible connections and the equipment enclosure must be connected to the safety ground conductor of the ac power system. A properly installed, fully code-compliant ac power distribution system will develop small, entirely safe voltage differences between the safety grounds of all outlets. In general, the lowest voltage differences (generally under 10 millivolts) will exist between physically *close* outlets on the *same* branch circuit and the highest (up to several volts) will exist between physically *distant* outlets on *different* branch circuits. These normally insignificant voltages cause problems only when they exist between vulnerable points in a system — which is more unfortunate than improper. Users who don't understand its purpose will often defeat equipment safety grounding — a practice that is both illegal and extremely dangerous. **Safety must supercede all other considerations!** Although UL-approved equipment supplied with a 2-prong power cord is safe, its normal leakage current can also create troublesome ground voltage differences. This topic, as well as unbalanced interfaces, is also beyond the scope of this paper.



Ground noise is very often **the** most serious problem in an audio system. As Bruce Hofer wrote: "Many engineers and contractors have learned from experience that there are far more audible problems in the *real world* than failing to achieve 0.001% residual distortion specs or DC-to-light frequency response." [2] Carefully designed and executed system grounding schemes can *reduce* ground voltage differences somewhat but cannot totally eliminate them. The use of "balanced" line drivers, shielded "balanced" twisted-pair cables, and "balanced" line receivers is a long standing practice in professional audio systems. It is tantalizing to assume that the use of "balanced" outputs, cables, and inputs can be relied upon to virtually eliminate such noise contamination. In theory, it *is* a perfect solution to the ground noise problem, but very important details of reducing the theory to practice are widely misunderstood by most equipment designers. Therefore, the equipment they design may work perfectly on the test bench, but become an annoying headache when connected into a system. Many designers, as well as installers and users, believe grounding and interfacing is a "black art." College electrical engineering courses rarely even mention practical issues of grounding. ***It's no wonder that myth and misinformation have become epidemic!***

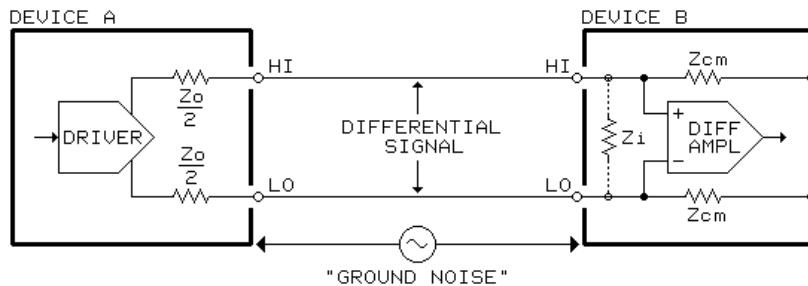
THE BALANCED INTERFACE

The purpose of a balanced audio interface is to efficiently transfer signal voltage from driver to receiver while rejecting ground noise. Used with suitable cables, the interface can also reject interference caused by external electric and magnetic fields acting on the cable.

The true nature of balanced interfaces is widely misunderstood. For example "Each conductor is always equal in voltage but opposite in polarity to the other. The circuit that receives this signal in the mixer is called a differential amplifier and this opposing polarity of the conductors is essential for its operation." [3] This, like many explanations in print (some in otherwise respectable books), describes **signal symmetry** – "equal in voltage but opposite in polarity" – but fails to even mention the single most important feature of a balanced interface. **SIGNAL SYMMETRY HAS ABSOLUTELY NOTHING TO DO WITH NOISE REJECTION — IMPEDANCE IS WHAT MATTERS!**

A good, accurate definition is "A balanced circuit is a two-conductor circuit in which both conductors and all circuits connected to them have the same impedance with respect to ground and to all other conductors. The purpose of balancing is to make the noise pickup equal in both conductors, in which case it will be a common-mode signal which can be made to cancel out in the load." [4] **The impedances, with respect to ground, of the two lines is what defines an interface as balanced or unbalanced.** In an unbalanced interface, one line is grounded, making its impedance zero. In a balanced interface, the two lines have equal impedance. It's also important to understand that line impedances are affected by **everything** connected to them. This includes the line driver, the line or cable itself, and the line receiver.

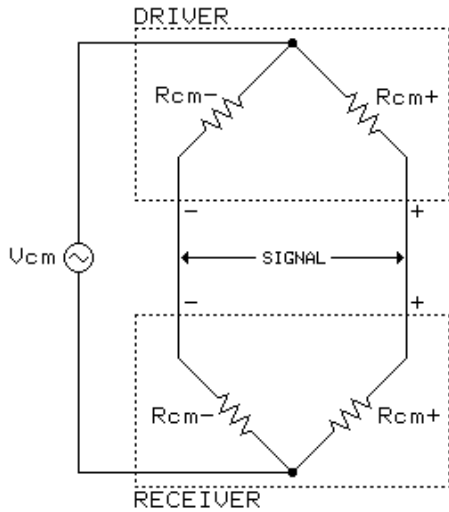
The line receiver uses a differential amplifier to reject common-mode voltages. The IEEE Dictionary defines a **differential amplifier** as "an amplifier that produces an output only in response to a potential difference between its input terminals (differential-mode signal) and in which output due to common-mode interference voltages on both its input terminals is suppressed." [5] Since transformers have *intrinsic* differential response, any amplifier preceded by an appropriate transformer becomes a differential amplifier.



The basic theory of the balanced interface is straightforward. (For purposes of this discussion, assume that the ground reference of Device A has a noise voltage, which we will call "ground noise," with respect to the Device B ground reference.) If we look at the HI and LO inputs of Device B with respect to its ground reference, we see audio signals (if present) *plus* the ground noise. If the voltage dividers consisting of $Z_o/2$ and Z_{cm} on each of the lines have *identical* ratios, we'll see identical noise voltages at the two inputs of Device B.

and Z_{cm} on each of the lines have *identical* ratios, we'll see identical noise voltages at the two inputs of Device B.

Since there is no difference in the two noise voltages, the differential amplifier has no output and the noise is said to be rejected. Since the audio signal from Device A generates a voltage difference between the Device B inputs, it appears at the output of the differential amplifier. Therefore, we can completely reject the ground noise if the voltage divider ratios are perfectly matched. In the real world, we can't perfectly match the voltage dividers to get infinite rejection. But if we want 120 dB of rejection, for example, we must match them to within 0.0001% or 1 part per million!



The ground noise received from Device A, since it exists on or is *common* to both wires, is called the **common-mode** voltage and the differential amplifier provides **common-mode rejection**. The ratio of differential or **normal-mode** (signal) gain to the common-mode (ground noise) gain of the interface is called the **common-mode rejection ratio** or CMRR (called "longitudinal balance" by telephone engineers) and is usually expressed in dB. There is an excellent treatment of this subject in Morrison's book. [6]

If we re-draw the interface as shown here, it takes the familiar form of a Wheatstone bridge. The ground noise is "excitation" for the bridge and represented as V_{cm} (common-mode voltage). The common-mode impedances of the line driver and receiver are represented by R_{cm+} and R_{cm-} . When the + and - arms have identical ratios, the bridge is "nulled" and zero voltage difference exists between the lines — infinite common-mode rejection. If the impedance ratios of the two arms are imperfectly matched, **mode conversion** occurs. Some of the ground noise now appears across the line as noise.

The bridge is *most* sensitive to small fractional impedance changes in one of its arms when all arms have the same impedance. [7] It is *least* sensitive when upper and lower arms have widely differing impedances. For example, if the lower arms have infinite impedance, no voltage difference can be developed across the line, regardless of the mis-match severity in upper arm impedances. A similar scenario occurs if the upper arms have zero impedance. Therefore, we can minimize **CMRR degradation** due to **normal component tolerances** by making common-mode impedances very low at one end of the line and very high at the other. [8] The output impedances of virtually all **real** line drivers are determined by series resistors (and often coupling capacitors) that typically have $\pm 5\%$ tolerances. Therefore, typical line drivers can have output impedance imbalances in the vicinity of 10 Ω . The common-mode input impedances of conventional line receivers is in the 10 k Ω to 50 k Ω range, making their CMRR *exquisitely sensitive* to normal component tolerances in line drivers. For example, **the CMRR of the widely used SSM-2141 will degrade some 25 dB with only a 1 Ω imbalance in the line driver.** Line receivers using input transformers (or the InGenius[®] IC discussed later) are essentially *unaffected* by imbalances as high as several hundred ohms because their common-mode input impedances are around 50 M Ω — over 1000 times that of conventional "active" receivers.

Note that this discussion has barely mentioned the audio signal itself. The mechanism that allows noise to enter the signal path works whether an audio signal is present or not. Only balanced **impedances** of the lines stop it — signal symmetry is irrelevant. When subtracted (in the differential amplifier), asymmetrical signals: +1 minus 0 or 0 minus -1 produce exactly the same output as symmetrical signals: +0.5 minus -0.5. This issue was neatly summarized in the following excerpt from the informative annex of IEC Standard 60268-3: "*Therefore, only the common-mode impedance balance of the driver, line, and receiver play a role in noise or interference rejection. This noise or interference rejection property is independent of the presence of a desired differential signal. Therefore, it can make no difference whether the **desired** signal exists entirely on one line, as a greater voltage on one line than the other, or as equal voltages on both of them. Symmetry of the desired signal has advantages, but they concern headroom and crosstalk, not noise or interference rejection.*"

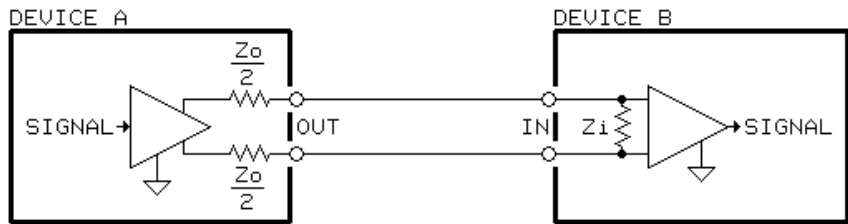
HISTORY AND 600 Ω LINES

The first widespread users of balanced circuits were the early telephone companies. Their earliest systems had no

amplifiers yet needed to deliver maximum audio power from one telephone to another up to 20 miles away. It's well known that, with a signal source of a given impedance, maximum power will be delivered to a load with the same, or matched, impedance. It is also well known that "reflections" and "standing waves" will occur in a transmission line unless both ends are terminated in the line's *characteristic impedance*. Because signal propagation time through 20 miles of line is a significant fraction of a signal cycle at the highest signal frequency, equipment at each end needed to match the line's characteristic impedance to avoid frequency response errors due to reflections. Telegraph companies used a vast network of had a huge installed base of open wire pair transmission lines strung along wooden poles. Early telephone companies arranged to use these lines rather than install their own. Typical lines used #6 AWG wire at 12 inch spacing and the characteristic impedance was about 600 Ω , varying by about $\pm 10\%$ for commonly used variations in wire size and spacing. [9] Therefore 600 Ω became the standard impedance for these balanced duplex (bi-directional) wire pairs and subsequently most telephone equipment in general.

Not only did these lines need to reject ground voltage differences, but the lines also needed to reject electric and magnetic field interference created by ac power lines, which frequently ran parallel to the phone lines for miles. Balanced and impedance matched transmission lines were clearly necessary for acceptable operation of the early telephone system. Later, to make "long distance" calls possible, it was necessary to separate the duplexed send/receive signals for unidirectional amplification. The passive "telephone hybrid" was used for the purpose and its proper operation depends critically on matched 600 Ω source and load impedances. Telephone equipment and practices eventually found their way into radio broadcasting and, later, into recording and professional audio — hence, the pervasive 600 Ω impedance specification.

In professional audio, however, the goal of the signal transmission system is to deliver maximum **voltage**, not maximum power. To do this, devices need low differential (signal) output impedances and high differential (signal) input impedances. This practice is the subject of a 1978 IEC standard



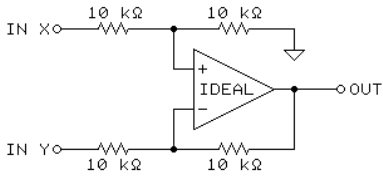
requiring output impedances to be 50 Ω or less and input impedances to be 10 k Ω or more.[10] Sometimes called "voltage matching," it minimizes the effects of cable capacitances and also allows an output to simultaneously drive multiple inputs with minimal level losses. With rare exceptions, such as telephone equipment interfaces, **the use of matched 600 Ω sources and loads in modern audio systems is simply unnecessary and compromises performance.**

BALANCED LINE RECEIVERS

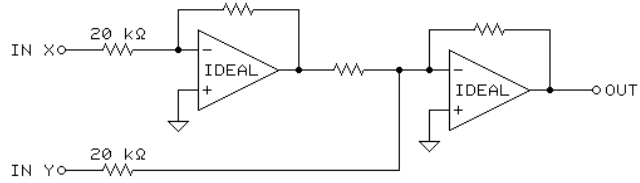
Since performance of the differential line receiver is the most important determinant to **system** CMRR performance and can, in fact, reduce the effects of other degradation mechanisms, we'll discuss it first. There are two basic types of differential amplifiers: active circuits and transformers. Active circuits are made of op-amps and precision resistor networks to perform algebraic subtraction of the two input signals. The transformer is an inherently differential device which provides electrical isolation of input and output signals.

The **active differential amplifier**, sometimes called an "actively balanced input" is realizable in several circuit topologies. These circuits are well known and have been analyzed and compared in some detail by others. [11][12][13][14] In our discussion here, we will assume that op-amps, resistors, and resistor ratios are ideal and not a source of error. The following schematics are four popular versions in their most basic form, stripped of ac coupling, RFI filtering, etc. Because the common-mode input impedances, from *either* input to ground [15], are all 20 k Ω , **these four circuits have identical CMRR performance.** Even when perfectly matched, these impedances are the downfall of this approach. To quote Morrison: "many devices may be differential in character but not all are applicable in solving the basic instrumentation problem." [16] The following graph shows the extreme sensitivity of 60 Hz CMRR vs source impedance imbalance for these circuits. These circuits are almost always tested and specified with either perfectly balanced sources or shorted inputs. In real equipment, imbalances commonly range from 0.2 Ω to 20 Ω , resulting in real-world interface CMRR that's far less than that

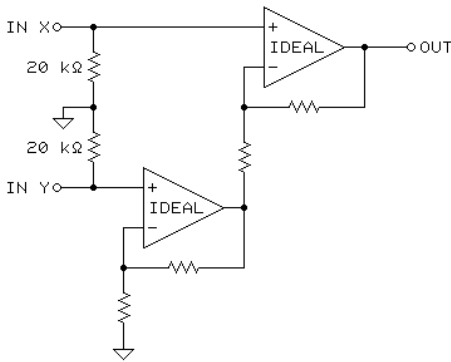
advertised for the line receiver.



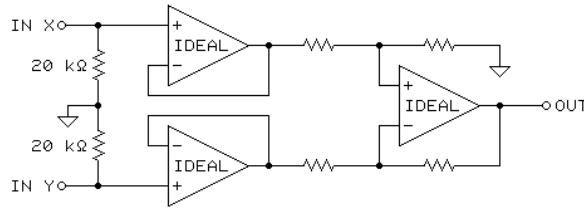
"SIMPLE" SINGLE OP-AMP



CURRENT MODE DUAL OP-AMP



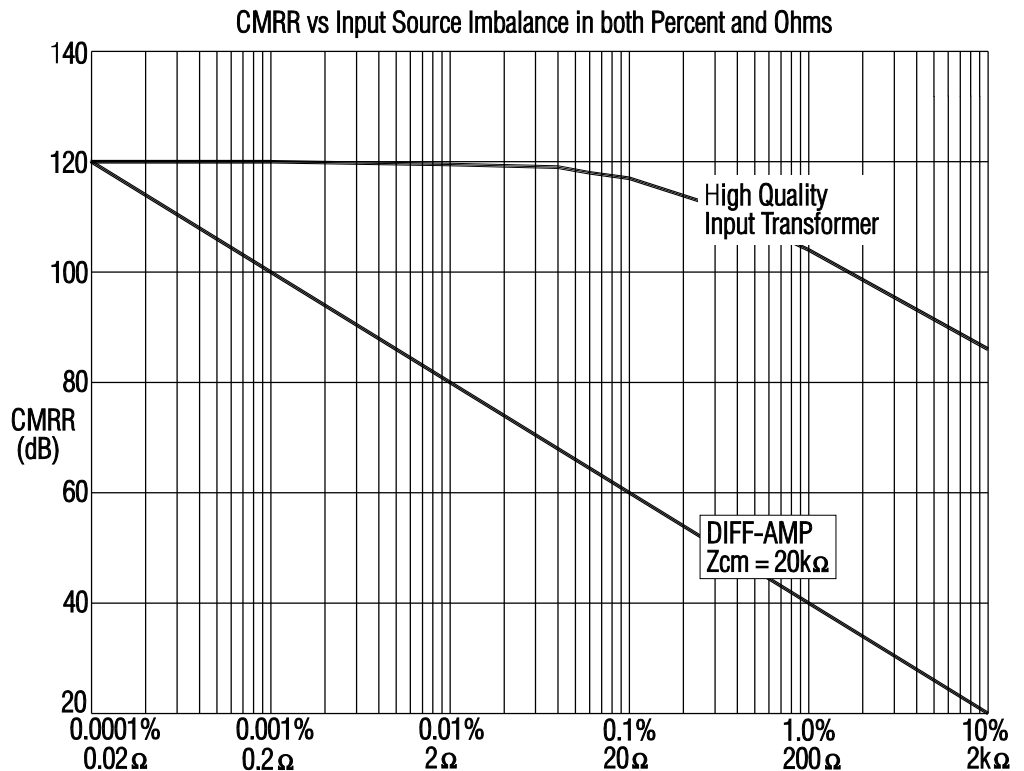
VOLTAGE MODE DUAL OP-AMP



"INSTRUMENTATION" or TRIPLE OP-AMP

There are other problems:

1. The single and current mode dual op-amp circuits must tradeoff common-mode input impedance for *noise*. For example, because of the high value resistors, the single op-amp circuit will have a noise output of about -105 dBu, where 0 dBu = 0.775 V rms. If it operates on ± 15 V rails, it will have a maximum output of about +20 dBu, giving it a total dynamic range of 125 dB. This may be marginal in some recording systems. If the resistor values are doubled, which will decrease CMRR sensitivity to source impedance imbalance, noise will increase by 3 dB.

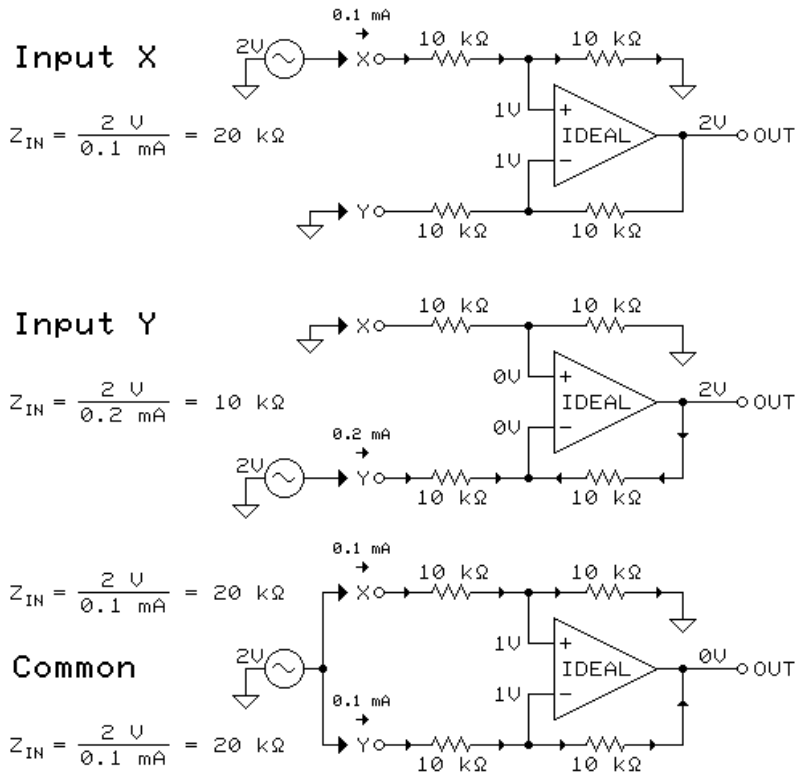


2. Many circuits use electrolytic coupling capacitors, which generally have loose tolerances and drift with age, at their inputs which degrades low frequency CMRR by *unbalancing* the common-mode input impedances.

3. Suppression of RF common-mode voltages, to prevent subsequent demodulation by the op-amps, is another tradeoff for these circuits. Often 1000 pF capacitors are added from each input to ground to attenuate RF. Unless they are very precisely matched, they will *unbalance* the common-mode input impedance and degrade high frequency CMRR. Also, because they *lower* common-mode input impedances, they increase high frequency CMRR sensitivity to source impedance imbalance. This is a very tricky tradeoff.

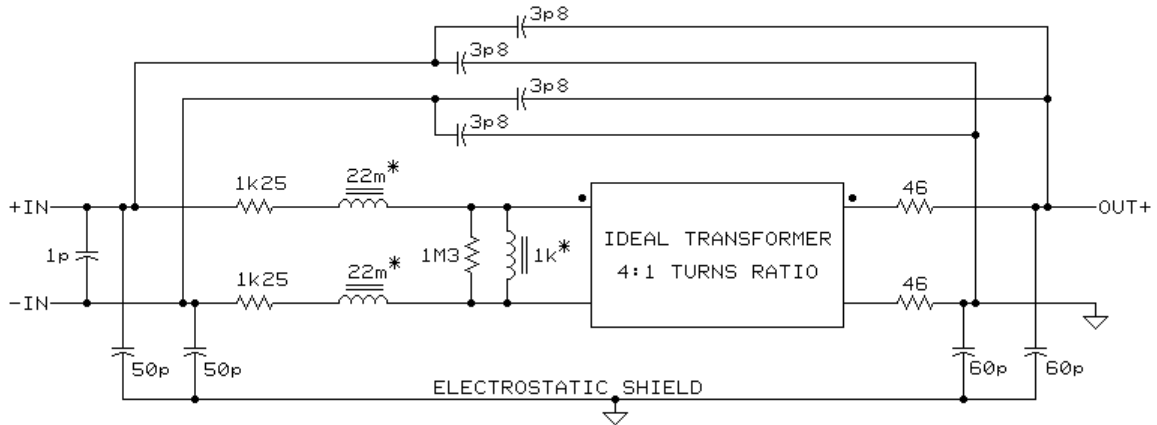
4. The common-mode voltage range is limited to ±10 to ±15 volts for most circuits. *At high signal levels, common-mode range can approach zero because the limit applies to the sum of the peak signal and the peak common-mode voltages.* [17][18] This can cause problems in electrically hostile environments such as remote recording trucks or sound reinforcement systems operating near high powered lighting equipment or cables.

5. The single op-amp design also has a property that seems confounding. [19] Its *common-mode* input impedances are identical (when voltages at input **X** and input **Y** are equal), but its *differential* signal input impedances are not symmetrical about ground. Obviously, if driven from a zero impedance balanced ground referenced source, voltages at **X** and **Y** are forced to be identical. Real world "floating" sources, which have high common-mode output impedances, will experience *signal* magnitude unbalances, typically around 3 dB, when used with this receiver. In fact, if driven by an *ideal* floating source (infinite common-mode impedances), *all* signal voltage will appear at input **X** and *none* at input **Y**. This is an imaginary problem that has led some designers to "fix" it by adjusting resistor ratios. In their misguided quest for signal symmetry, they have inadvertently done massive damage to the CMRR of the input stage!



An **audio transformer** couples a signal magnetically while maintaining electrical *isolation* between input and output. It is an inherently differential device, requiring no trimming and its differential properties are stable for life. The next page shows a circuit simulation model for a Jensen JT-10KB-D line input transformer. Its common-mode input impedances are determined by the 50 pF capacitances of the primary to the Faraday shield, which is grounded, and small parasitic capacitances to the secondary, one end of which is usually grounded. These high common-mode input impedances, about 50 MΩ at 60 Hz and 1 MΩ at 3 kHz, are responsible its relative insensitivity to large source impedance imbalances, as shown in the previous graph. There are other advantages, too:

1. A transformer can transform or "match" the impedance of the balanced line to the *optimum source resistance* for the subsequent amplifier to maximize signal-to-noise ratio. Noise figure is a measure of signal-to-noise degradation caused by an amplifier and it is lowest when the amplifier is fed from its *optimum source resistance*. [20] Although this is especially relevant to microphone input stages, it's also an important consideration for wide-



HIGH PERFORMANCE INPUT TRANSFORMER CIRCUIT SIMULATION MODEL

ALL RESISTANCE IN OHMS, CAPACITANCE IN FARADS, AND INDUCTANCE IN HENRYS.
UNIT PREFIX USED IN PLACE OF DECIMAL POINT: 3p8 = 3.8 pF, 1k25 = 1.25 kΩ, ETC.

INDUCTANCES MARKED* VARY INVERSELY WITH FREQUENCY, INCREASING AT ~3 dB PER OCTAVE DOWN TO ~1 Hz.
VALUE INDICATED AS 1 kH APPLIES AT 20 Hz, AND AS 22 mH APPLIES AT 100 kHz.

VALUES SHOWN ARE TYPICAL ONLY.

BLA-5J

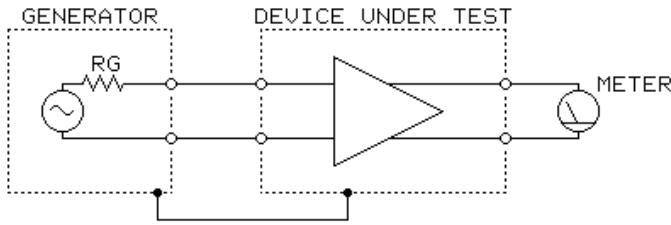
dynamic-range *line* input stages. A well-designed transformer-coupled line input stage operating from ±15 volt power rails can easily attain 140 dB of dynamic range.

2. RF common-mode attenuation is also inherent in transformers with Faraday shielding. Since it compares normal-mode to common-mode response, CMRR is not a useful measure of this attenuation. The normal mode -3 dB frequency is about 180 kHz for the Jensen JT-10KB-D. Its common-mode attenuation is typically over 30 dB from 200 kHz to 10 MHz. If necessary, RF attenuation can be increased with a simple external low-pass filter network.

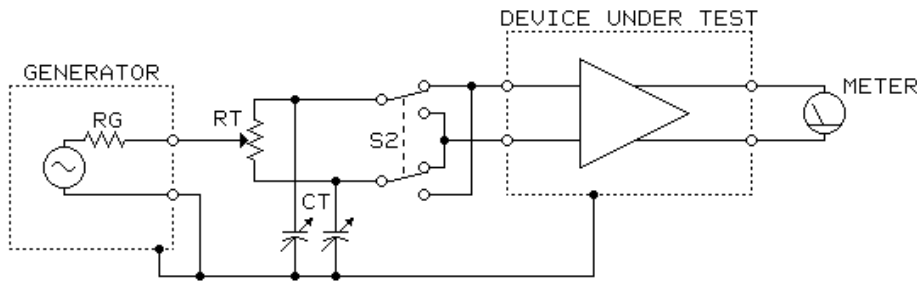
3. Input common-mode voltage range in a transformer depends only on the insulation materials used in its construction. Breakdown typically exceeds ±350 V peak.

TESTING BALANCED LINE RECEIVERS

Noise rejection in a real-world balanced interface is often far less than that touted for the receiving input. That's because the performance of balanced inputs have traditionally been measured in ways that ignore the effects of line driver and cable impedance imbalances. For example, the old IEC method essentially "tweaked" the driving source impedance until it had **zero** imbalance. Another method, which simply ties the two inputs together and is still used by many engineers, is equally unrealistic and its results essentially meaningless. This author is pleased to have convinced the IEC, with the help of John Woodgate, to adopt a new CMRR test that inserts realistic impedance imbalances in the driving source. The new test is part of the third edition of *IEC Standard 60268-3, Sound System Equipment - Part 3: Amplifiers*, issued in August 2000. A schematic of the old and new test methods is shown on the next page. It's very important to understand that noise rejection in a balanced interface isn't just a function of the receiver — **actual performance in a real system depends on how the driver, cable, and receiver interact.**

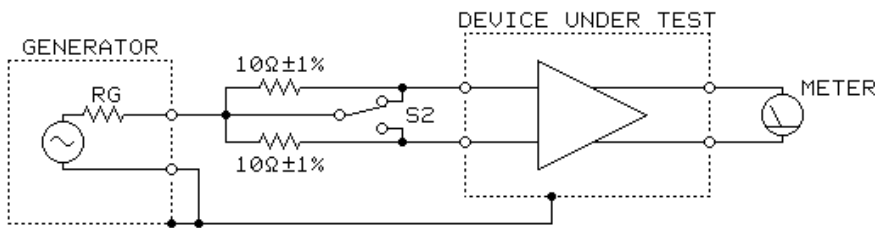


IEC Normal-Mode Test



IEC Common-Mode Test 1988 Ed 2

RT and CT are trimmed for same reading as S2 is toggled. This "perfect" reading is used to calculate CMRR.

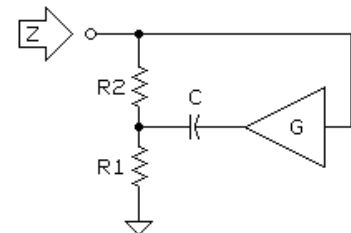


IEC Common-Mode Test 2000 Ed 3

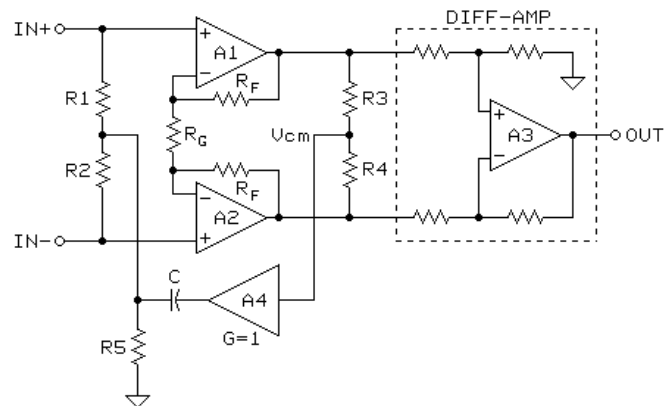
S2 is toggled and highest reading noted. This reading is used to calculate CMRR.

A NEW LINE RECEIVER CIRCUIT

The new circuit uses a technique known as "bootstrapping" to raise the ac common-mode input impedance of the receiver to over 10 MΩ at audio frequencies. The schematic at the right shows the basic technique. By driving the lower end of R2 to nearly same ac voltage as the upper end, current flow through R2 is greatly reduced, effectively increasing its value. At dc, of course, Z is simply R1 + R2. If gain G is unity, for frequencies within the passband of the high-pass filter formed by C and R1, the effective value of R2 is increased and will approach infinity at sufficiently high frequencies. For example, if R1 and R2 are 10 kΩ each, the input impedance at dc is 20 kΩ. This resistance provides a dc path for amplifier bias current as well as leakage current that might flow from a signal source. At higher frequencies, the bootstrap greatly increases the input impedance, limited ultimately by the gain and bandwidth of amplifier G. Impedances greater than 10 MΩ across the audio spectrum can be achieved.

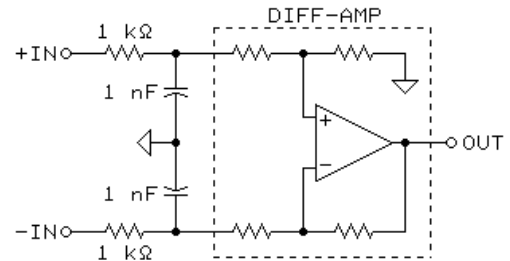


Another widely used balanced input circuit is called an instrumentation amplifier. The circuit shown at the right is a standard instrumentation amplifier

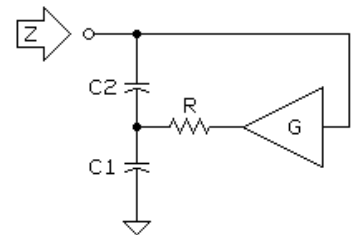


modified to have its input bias resistors, R1 and R2, bootstrapped. Note that its common-mode gain, from inputs to outputs of A1 and A2, is unity regardless of any differential gain that may be set by R_F and R_G. The common-mode voltage appearing at the junction of R3 and R4 is buffered by unity gain buffer A4 which, through capacitor C, ac bootstraps input resistors R1 and R2. To ac common-mode voltages, the circuit's input impedances are 1000 or more times the values of R1 and R2, but to differential signals, R1 and R2 have their normal values, making the signal input impedance R1 + R2. Note that capacitor C is not part of the differential signal path, so signal response extends to dc. The bootstrapping does not become part of the (differential) signal path.

The new circuit also has advantages in suppressing RF interference. Audio transformers inherently contain passive low-pass filters, removing most RF energy before it reaches the first amplifier. In well-designed equipment, RF suppressing low-pass filters must precede the active input stages. A widely-used circuit is shown at the right. At 10 kHz, these capacitors alone will lower common-mode input impedances to about 16 kΩ. This seriously degrades high frequency CMRR with real-world sources, even if the capacitors are perfectly matched. A tradeoff exists because shunt capacitors must have values large enough to make an effective low-pass filter, but small enough to keep the common-mode input impedances high. The new circuit eases this tradeoff.



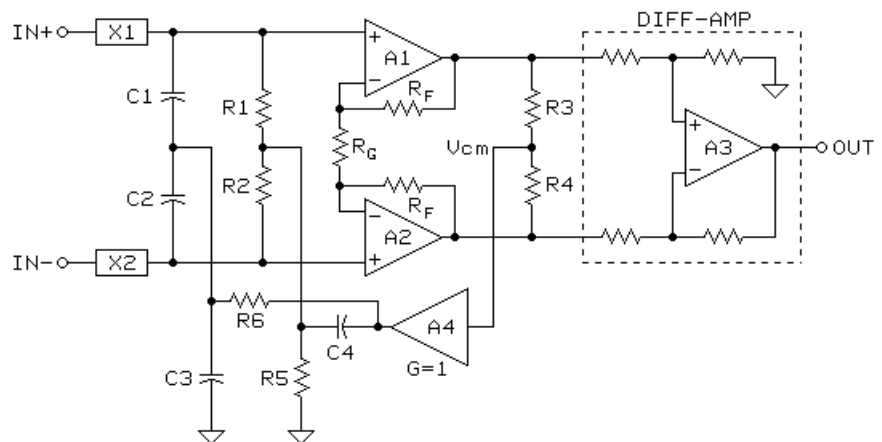
The circuit at right shows how bootstrapping can make the effective value of these capacitors small within the audio band yet become their full value at RF frequencies. By forcing the lower end of C2 to the same ac voltage as the upper, current flow through C2 is greatly reduced, effectively decreasing its value. If gain G is unity, at frequencies below the cutoff frequency of the low-pass filter formed by R and C1, the effective value of C2 will approach zero. At very high frequencies, of course, the effective capacitance is simply that of C1 and C2 in series (C1 is generally much larger than C2). For example, if R = 2 kΩ, C1 = 1 nF, C2 = 100 pF, and G = 0.99, the effective capacitance is only 15 pF at 10 kHz, but increases to 91 pF at 100 kHz or higher.



The schematic below shows a complete input stage with bootstrapping of input resistors R1/ R2 and RF filter capacitors C1/C2. Series filter elements X1 and X2 can be resistors or inductors, which provide additional RF suppression. A paper by Whitlock describes these circuits in much greater detail. [8]

THE NEW CIRCUIT IC

The InGenius[®] circuit, covered by US Patent 5,568,561, is licensed to THAT Corporation. The silicon implementation differs from the discrete solution in many respects. Since all critical components are integrated, a well controlled interaction between resistor values and metal traces can be duplicated with similar performance from die to die. But the integration of certain components creates new challenges.



The process used by THAT Corporation for this device is 40-volt Complementary Bipolar **Dielectric Isolation** (DI) with Thin Film (TF). The DI process has remarkable advantages. Truly high performance **PNP and NPN transistors, as good as their discrete counterparts**, can be made on the same piece of silicon. Each device is placed in a tub that's isolated from the substrate by a thick layer of oxide. This, unlike more conventional Junction Isolated (JI) processes, makes it possible to achieve hundreds of volts of isolation between individual transistors and the substrate. The lack of substrate connection has several advantages. It minimizes stray capacitance to the substrate (usually connected to the negative rail), therefore wider bandwidths can be achieved with a simpler, fully complementary circuit design. Also, it makes possible stable operational amplifier designs with high slew rates. In fact, the typical slew rate of the InGenius® line receiver is better than 10 V/us.

The op-amp design topology used is a folded cascode with PNP front end, chosen for better noise performance. The folded cascode achieves high gain in one stage and requires only a simple stability compensation network. Moreover, the input voltage range of a cascode structure is greater than most other front ends. The output driver has a novel output stage that is the subject of US patent 6,160,451. The new topology achieves the same drive current and overall performance as a more traditional output stage but uses less silicon area.

The InGenius® design requires very high performance resistors. Most of the available diffused resistors in a traditional silicon process have relatively high distortion and poor matching. The solution is to use thin film (TF) resistors. The family of thin film resistors include compounds such as, Nichrome (NiCr), Tantalum Nitride (TaNi) and Sichrome (SiCr). Each compound is suitable for a certain range of resistor values. In InGenius, SiCr thin film is used due to its stability over time and temperature and sheet resistance that minimizes the total die area.

Thin-film on-chip resistors offer amazing accuracy and matching via laser trimming, but are more fragile than regular resistors, especially when subjected to Electrostatic Discharge (ESD). Careful layout design was required to ensure that the resistors can withstand the stress of ESD events.

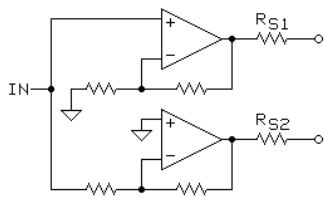
The CMRR and gain accuracy performance depend critically on matching of resistors. The integrated environment makes it possible to achieve matching that would be practically impossible in a discrete implementation. Typical resistor matching, achieved by laser trimming, in the InGenius® IC is 0.005%, which delivers about 90 dB of CMRR. In absolute numbers, this means the typical resistor and metal error across all resistors is no greater than 0.35 Ω ! Discrete implementations with such performance are very difficult to achieve and would be extremely expensive.

Real-world environments for input and output stages require ESD protection. Putting it on the chip, especially for an IC that can accept input voltages higher than the supply rails, posed interesting challenges. The conventional solution is to connect reverse-biased protection diodes from all pins to the power pins. In the InGenius® IC, this works for all pins except the input pins because they can swing to voltages higher than the power supply rails. For the input pins, THAT's designers developed a lateral protection diode with a breakdown voltage of about 70 volts that could be fabricated using the same diffusion and implant sequences used for the rest of the IC.

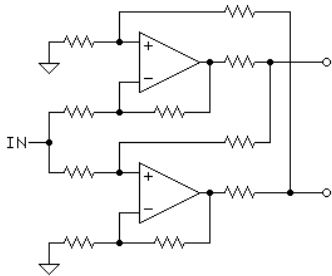
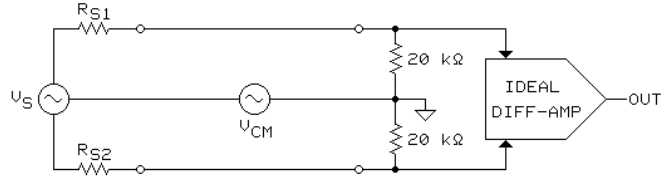
BALANCED LINE DRIVERS

There are three basic types of line drivers: ground referenced, active floating, and transformer floating. Schematics on the next page show simplified schematics of each type connected to an ideal line receiver having a common-mode input impedance of exactly 20 k Ω per input. (*Differential or signal voltage generators are shown in each diagram for clarity, but for common-mode noise analysis the generators are considered short circuits. The receiver ground is considered the zero signal reference and the driver ground is at common-mode voltage with respect to the receiver ground.*) The following graph compares simulated CMRR performance of the three sources with this receiver setup.

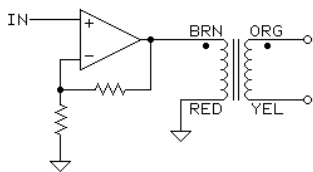
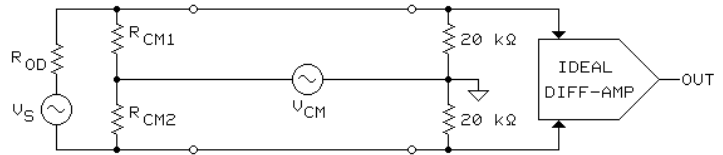
The **ground referenced source** has two anti-phase voltage sources, each referenced to driver ground. The resistive common-mode output impedances are R_{S1} and R_{S2} . The *differential* output impedance R_{OD} is simply $R_{S1} + R_{S2}$. The common-mode voltage V_{CM} is fed into both line branches through R_{S1} and R_{S2} . V_{CM} appears at the line receiver attenuated by two voltage dividers formed by R_{S1} and 20 k Ω in one branch and R_{S2} and 20 k Ω in the other. As discussed previously, ratio matching errors in these two voltage dividers will degrade CMRR. (*It could be*



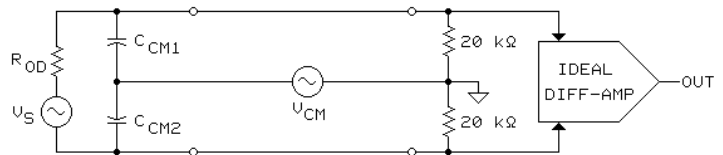
GROUND REFERENCED SOURCE



ACTIVE FLOATING SOURCE

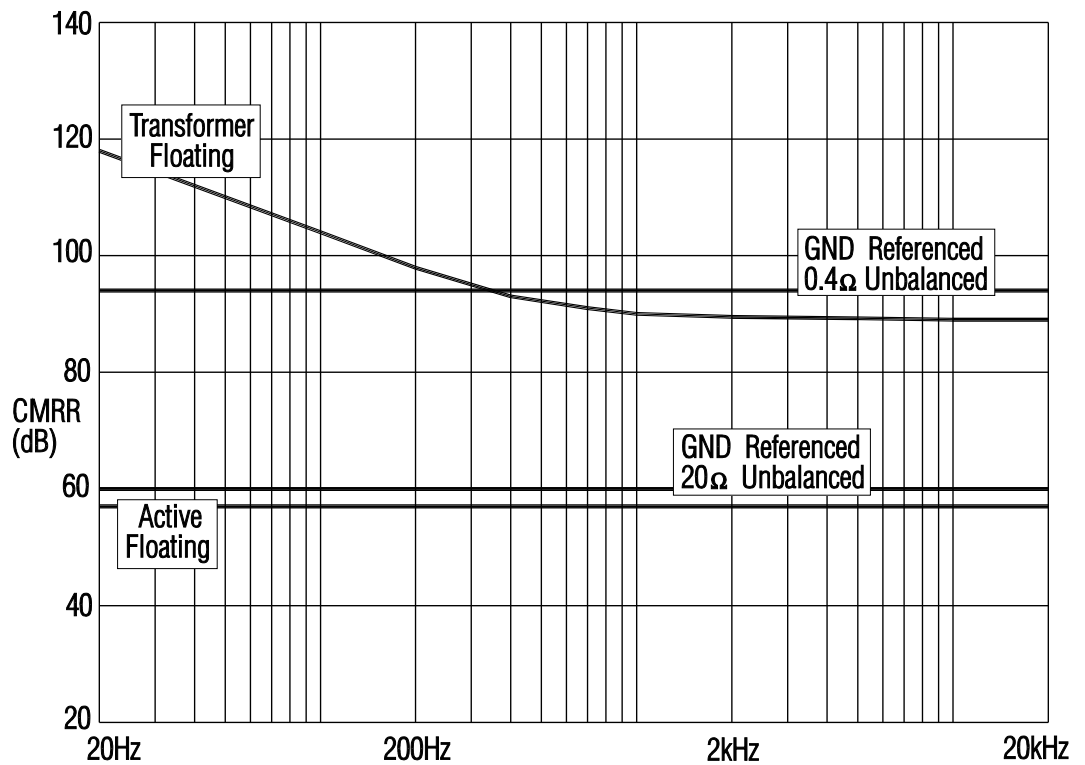


TRANSFORMER FLOATING SOURCE



BLAS-6

argued that R_{S1} need not equal R_{S2} and that the common-mode input impedances need not match because this condition is not necessary for ratio matching. However, equality is necessary if we wish to allow interchange of system values.) Since typical values for R_{S1} and R_{S2} are 20 Ω to 100 Ω each with independent tolerances of $\pm 1\%$ to $\pm 10\%$, worst case source impedance imbalance could range from 0.4 Ω to 20 Ω . With these imbalances, system CMRR will degrade to 94 dB for 0.4 Ω , or to 60 dB for 20 Ω . Since the imbalances are



resistive, CMRR is constant over the audio frequency range.

The **active floating source** is built around a basic circuit consisting of two op-amps cross-coupled with both negative and positive feedback to emulate a floating voltage source. The resistive common-mode output impedances are R_{CM1} and R_{CM2} . The differential output impedance is R_{OD} . The common-mode voltage V_{CM} is fed into both line branches through R_{CM1} and R_{CM2} . V_{CM} appears at the line receiver attenuated by two voltage dividers formed by R_{CM1} and 20 k Ω in one branch and R_{CM2} and 20 k Ω in the other, with R_{OD} across the line. R_{OD} is typically 50 Ω to 100 Ω . Since the common-mode output impedances of this circuit are increased by precise balancing of resistor ratios which also interact with output signal balance (symmetry), adjustment is difficult and values for R_{CM1} and R_{CM2} are not specified directly. One manufacturer of this circuit specifies output common mode rejection (OCMR) by the BBC test method. [21] The results of this test can be used to determine the effective values of R_{CM1} and R_{CM2} using computer-aided circuit analysis. Values of 5.3 k Ω and 58.5 k Ω were found for a simulated part having OCMR and SBR (signal balance ratio) performance slightly better than the "typical" specification. For this simulated part, system CMRR was degraded to 57 dB. Since the imbalances are resistive, CMRR is constant over the audio frequency range.

The **transformer floating source** consists of a transformer whose primary is driven by an amplifier whose output impedance is effectively zero by virtue of conventional negative feedback. The common-mode output impedances C_{CM1} and C_{CM2} consist of the interwinding capacitance for multi-filar wound types, or the secondary to shield capacitance for Faraday shielded types. Differential output impedance R_{OD} is the sum of secondary and reflected primary winding resistances. For typical bi-filar transformers, C_{CM1} and C_{CM2} range from 7 nF to 20 nF each, matching to within 2%. Typical R_{OD} range is 35 Ω to 100 Ω . System CMRR will be 110 dB to 120 dB at 20 Hz, decreasing at 6 dB per octave since the unbalances are capacitive, to 85 dB to 95 dB at 500 Hz, above which it becomes frequency independent.

If, instead of the active receiver, a Jensen JT-10KB-D input transformer is used, its full CMRR capability of about 125 dB at 60 Hz and 85 dB at 3 kHz is realized with **any** of the sources and conditions described above.

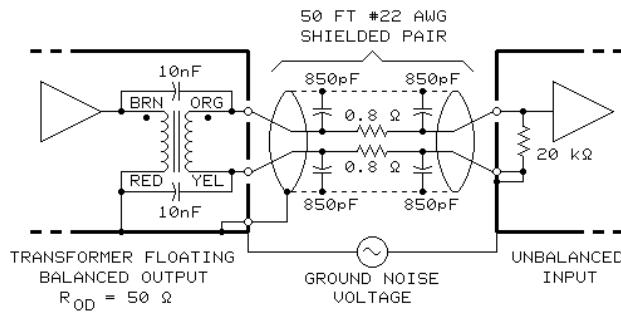
The **GROUNDING** behavior of these three sources is an important consideration if unbalanced inputs are to be driven. Of course, for *any* line driver, either output should be capable of withstanding an accidental short to ground or to the other line indefinitely without damage or component failure. This is best accomplished with current limiting and thermal shutdown features.

The GROUND REFERENCED source will output abnormally high currents into a grounded line. Hopefully, it will current limit, overheat, and shut down. If not, at the system level, it will be forcing high, and probably distorted, currents to a remote ground. These currents, as they return to the driver, will circulate through the grounding network and become common-mode voltages to other devices in the system. The usual symptom is described as "crosstalk."

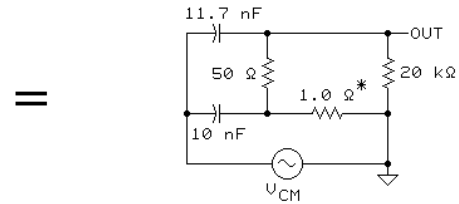
The ACTIVE FLOATING source compromises CMRR, output magnitude balance, and high frequency stability in quest of a "transformer-like" ability to drive a grounded or "single-ended" input. However, to remain stable, the grounded output must be carefully grounded **at the driver**. [22][23] Since this makes the system completely unbalanced, it is a *serious* disadvantage.

The TRANSFORMER FLOATING source breaks the ground connection between the driver and the unbalanced input. Because the transformer secondary is able to "reference" its output to the unbalanced *input* ground, **power line hum is reduced by more than 70 dB** in the typical situation shown in the following schematic. Because the ground noise is capacitively coupled through C_{CM1} , reduction decreases linearly with frequency to about 40 dB at 3 kHz.

With the transformer floating source, if it is **known** that an output line will be grounded, an appropriate step can be taken to optimize performance. With a differentially driven transformer, drive should be removed from the corresponding end of the primary to reduce signal current in the remotely grounded output line. In the case of single-ended driven transformer, simply choose the secondary line corresponding to the grounded end of the primary for grounding.



EQUIVALENT CIRCUIT AT AUDIO FREQUENCIES



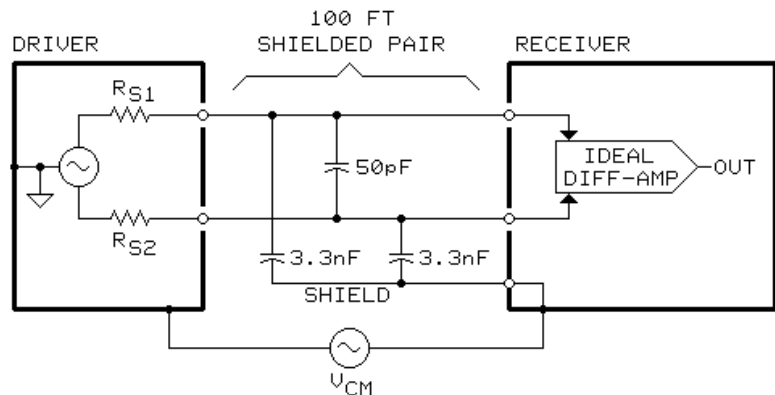
*INCLUDES 2 CONNECTORS AT 0.1 ohm EACH

BLAS-8

Grounding one output line at the driver, which is required to guarantee stability of most "active floating" circuits, degenerates the interface to a completely unbalanced one having **no ground noise rejection at all**.

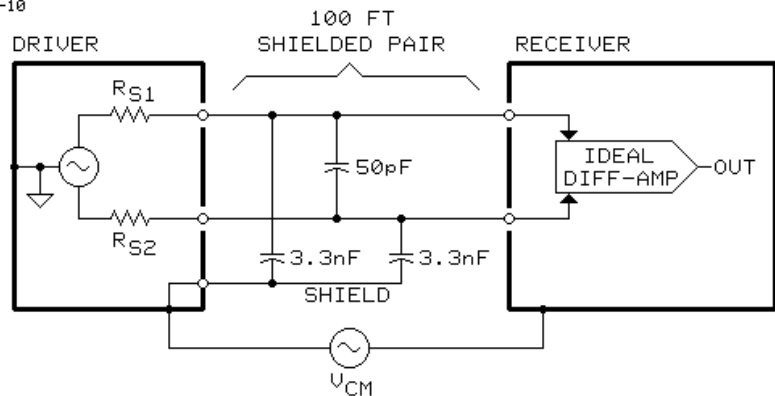
CABLES FOR BALANCED LINES

The *primary* effects on system behavior caused by the interconnecting shielded twisted pair (often called STP) cable is caused by the capacitance of its inner conductors to the shield. The two inner conductors of widely used 22 gauge foil shielded twisted pair cable, when driven "common-mode", exhibit a capacitance to the shield of about 67 pF per foot. But the **capacitance unbalance** can be considerable. Measurements on samples of two popular brands of this cable showed capacitance unbalances of 3.83% and 3.89%, with the black wire having the highest capacitance in both cases. On one sample, insulation thickness was calculated from outside diameter measurements and assumed that the stranded conductors in both wires conductors were identical. The black insulation was 2.1% thinner and, since capacitance varies as the inverse square of the thickness, this would seem to explain the unbalance. Perhaps this topic needs some attention from cable manufacturers.



BLA-10

This is important because, **if the cable shield is grounded at the receive end**, these capacitances and the output impedances of the driver form two low-pass filters. Unless these two filters match **exactly**, requiring an exact match of both driver output impedances and cable capacitances, mode conversion will take place. Such conversion is aggravated by long cables and unbalanced driver impedances. Because of its high common-mode output impedances, the



BLA-11

active floating driver is very vulnerable to this conversion mechanism. Its cable shields **must** be grounded *only* at the driver end. But this conversion *CAN* be avoided. The upper schematic shows how the common-mode noise is low-pass filtered. Remember that our reference point is the *receiver* "ground." If we simply **ground the cable shield at the driver end** instead, as shown in the lower schematic, no common-mode voltage appears across the cable capacitances and no filters are formed! Since the shield now is at the common-mode voltage and so are both driver outputs, there is no common-mode voltage across the cable capacitances and they effectively "disappear." As far as the common-mode voltage on the signal conductors is concerned, the cable capacitances are now in *parallel* with the source impedances, virtually eliminating the unbalancing effects of the capacitances.

Grounding of shields at **both** driver and receiver creates an interesting tradeoff. The cable effects will, predictably, fall between the two schemes described above. The "advantage" is that, because it connects the two chassis, it can reduce the common-mode *voltage* itself even though it may degrade the receiver's *rejection* of it, especially as we approach 20 kHz. It would be far better, of course, to use some other means, such as a dedicated grounding system or even the utility safety ground (power cord 3rd prong), to restrain common-mode voltage. Devices with no safety ground (two prong power cords) are the most offensive in this regard, with their chassis voltage often well over 50 volts ac with respect to system safety ground. The current available is very small, posing no safety hazard, but it creates a very large common-mode voltage unless somehow restrained.

As we mentioned earlier, **it is NOT necessary to have symmetrical signals on the balanced line** in order to reject common-mode noise. *Signal symmetry is a practical consideration to cancel capacitively coupled signal currents which would otherwise flow in the cable shield.* In a real system, there will be some signal currents flowing in the shield because of either signal asymmetry or capacitance imbalance in the cable. **If the cable shield is grounded only at the driver, these currents will harmlessly flow back to the driver and have no system-level effects.** But if the shield is grounded only at the receiver, these currents will return to the driver only after circulating through remote portions of the grounding system. Because the currents rise with frequency, they can cause very strange symptoms or even ultrasonic oscillations at the system level.

Sometimes, especially with very long cables, leaving the shield "floating" at the receive end may result in increased RF common-mode voltage at the receiver because of antenna effects and high RF fields. To minimize this potential problem, a "hybrid" scheme can be used to effectively ground the receive-end shield only for RF. [24] The computer simulation used a series connected 50 Ω resistor (intended to terminate the cable-shield to environmental-ground transmission line) and 10 nF capacitor connected between shield and chassis at the receiver. Under the same conditions as our previous example using 100 feet of cable and a 1 Ω source imbalance, theoretical CMRR was 220 dB at 60 Hz and 170 dB at 3 kHz, as shown in Figure 12. Although AM radio is the most common offender in real-world systems, pickup and subsequent demodulation of broadcast TV signals can result in a "buzz" remarkably similar to the power line variety. In this case, looking at the noise with an oscilloscope with sweep locked to the power line will reveal the "crawl" of the 59.94 Hz vertical sync pulses.

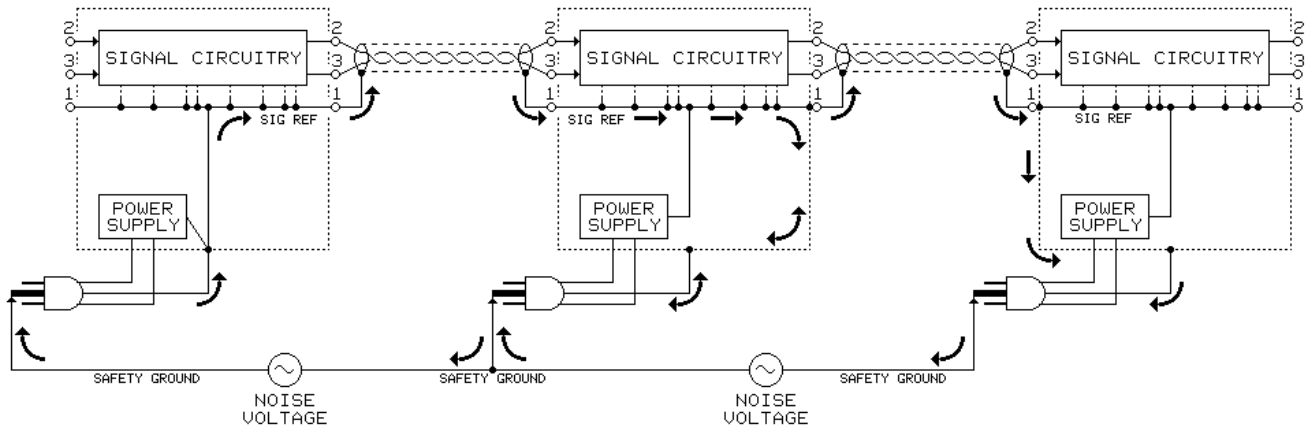
Especially if they are long or bundled with unshielded wiring, cables should have 100% shield coverage. Tight twisting (high twists per unit length) of the inner pair or "star quad" construction will greatly reduce magnetic pickup. This is especially important if cables are near wires carrying high ac currents or a power transformer, motor, or a CRT as used in many computer monitors and TV receivers.

SHIELD-CURRENT-INDUCED NOISE

There is yet another reason not to solidly ground the shield at the receive end of the cable. When interference currents flow in their shield, certain cables induce normal-mode noise in the balanced pair. Details on this subject are covered in AES papers by Neil Muncy and Brown-Whitlock. Both conclude that cables utilizing a drain wire with the shield are far worse than those using a braided shield without drain wire. [25][26]

THE PIN 1 PROBLEM

Dubbed the "pin 1 problem" (pin 1 is shield in XLR connectors) by Neil Muncy, common-impedance coupling has been inadvertently designed into a surprising number of products with balanced interfaces. As Neil says, *"Balancing is thus acquiring a tarnished reputation, which it does not deserve. This is indeed a curious situation."*



Balanced line-level interconnections are supposed to ensure noise-free system performance, but often they do not.” [26]

The pin 1 problem effectively turns the SHIELD connection into a very low-impedance SIGNAL input!

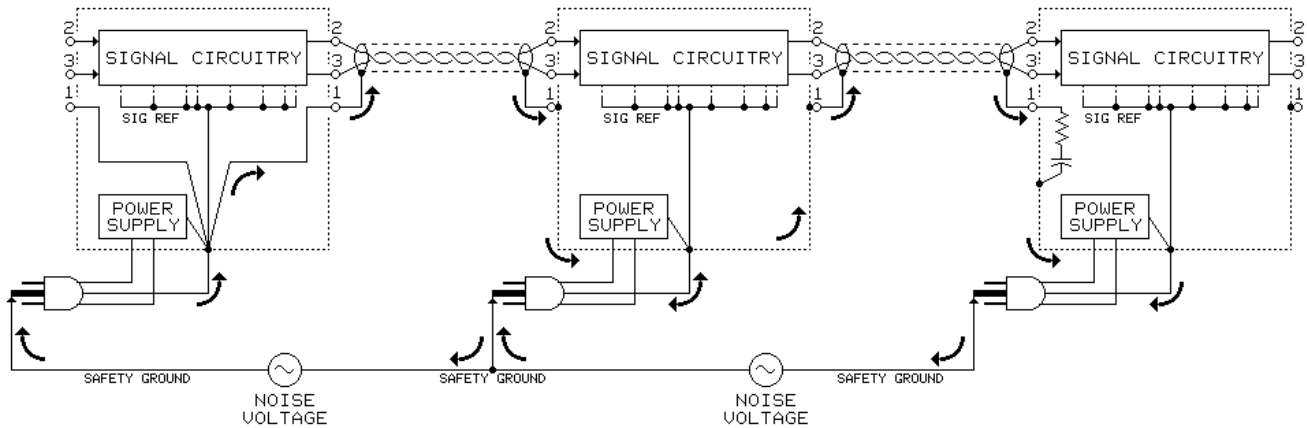
Shield current, consisting mainly of power-line noise, is allowed to flow in internal wiring or circuit board traces shared by amplifier circuitry. The tiny voltage drops created are amplified and appear at the device output. When this problem exists in systems, it can interact with other noise coupling mechanisms to make noise problems seem nonsensical and unpredictable. The problem afflicts equipment with unbalanced interfaces, too.

Fortunately, there is a simple test to reveal the pin 1 problem. The “**hummer**” is an idea suggested by John Windt. [27] This simple device, which might consist of only a “wall-wart” transformer and a resistor, forces an ac current of about 50 mA through suspect shield connections in the device under test. In *properly* designed equipment, this causes no additional noise at the equipment output.

DESIGN CHECKLIST

The following steps will ensure that your equipment doesn’t create noise problems in real-world systems.

1. **Avoid designed-in pin 1 problems.** Bond shield pins of *all inputs and outputs* as directly as possible to the conductive equipment enclosure/safety ground. If plastic PCB-mounted connectors are used on a non-metallic panel, bond the shield pins to the widest possible PCB foil area, connecting it as directly as possible to power supply common and keeping it isolated from the signal circuitry ground plane or network. In a real-world system, noise currents at frequencies from power-line to UHF may flow from connector to connector and from connectors to power line — give the current the shortest, most direct path possible! The schematic below may help with the concept. The box on the right implements “hybrid” grounding of its input connector, reducing audio frequency shield current.



2. Improve receiver CMRR. Conventional balanced line receiver circuits usually deliver marginal CMRR when connected to real-world equipment instead of laboratory signal generators. Replacing these receivers with either high-quality transformers or InGenius® integrated circuits can improve CMRR by 50 dB or more in real systems.

3. Keep RF interference outside. Enclose the equipment in a metallic enclosure or, if the enclosure is non-metallic, apply a conductive coating to its interior and ground it. Consider replacing XLR connectors with new versions having integral capacitors and/or ferrite suppressors to prevent RF entry via this route. For *line* inputs, a switch can then be used to open the pin 1 connection for highest possible CMRR at audio frequencies. Since microphones are not independently grounded and phantom-powered varieties use the cable shield to carry power, such a switch can't be used at *microphone* inputs. Of course, appropriate measures should be used to prevent RF entry via other cables (power, data, etc.) as well.

4. Minimize the effects of ac magnetic fields. Minimize the loop area of high-current paths (power transformer-rectifier-input capacitor, for example) in the power supply to reduce its radiated magnetic field. Likewise, minimize the loop area of signal paths to prevent noise induction from magnetic fields both inside and outside the enclosure. One way to do this is to tightly twist all balanced pair wiring and keep balanced pair traces as physically close as possible.

5. Design output stages for low output impedance. A differential output impedance of 50 Ω or less is highly desirable. Damped inductor load isolators, consisting of a small inductors (about 5 μH) in parallel with resistors (about 50 Ω), are preferred over “build-out” resistors. Inductive isolators have near-zero impedance at audio frequencies, minimizing line receiver CMRR degradation due to both output impedance and cable capacitance imbalances. However, at MHz frequencies, their impedance approaches 50 Ω, preventing possible instability or oscillation of the line driver.

6. Use a differential amplifier at the beginning of the signal chain. This may sound obvious, but some designers are so convinced that balance means only signal symmetry that they design power amplifiers having two independent ground referenced signal chains, which rely on symmetry of the balanced input signal to provide symmetrical drive for push-pull output tubes. A prime function of the differential amplifier is to remove common-mode content from the input signal. In this topology without a differential amplifier, each signal chain also amplifies common-mode noise. The output transformer primary has very low impedance to common-mode drive, which causes abnormally high plate current. This can result in severe inter-modulation distortion and, in some cases, damaged output tubes.

This work is based in part on a 1994 AES paper by this author. [28]

REFERENCES

- [1] Fielder, L., *Dynamic Range Issues in the Modern Digital Audio Environment*, Journal of the Audio Engineering Society, May 1995, pp. 322-339.
- [2] B. Hofer, *Transformers in Audio Design*, Sound & Video Contractor, March 15, 1986, p. 24.
- [3] A. Keltz, *Unbalanced vs. Balanced Lines and Cables*, Technical Articles, Whirlwind USA
- [4] H. Ott, *Noise Reduction Techniques in Electronic Systems*, Second Edition, John Wiley & Sons, 1988, p. 116.
- [5] Institute of Electrical and Electronics Engineers, Inc., *IEEE Standard Dictionary of Electrical and Electronic Terms, Second Edition, ANSI/IEEE Std 100-1977*, Wiley Interscience, 1978, p. 177.
- [6] R. Morrison, *Grounding and Shielding Techniques in Instrumentation*, Third Edition, John Wiley & Sons, 1986, pp. 55-61.
- [7] *Reference Data for Radio Engineers*, Fifth Edition, Howard W. Sams, 1972, p. 11-1.
- [8] B. Whitlock, *A New Balanced Input Circuit for Maximum Common-Mode Rejection in Real-World Environments*, Audio Engineering Society 101st Convention, 1996, Preprint #4372, available at www.jensentransformers.com.
- [9] Federal Telephone and Radio Corporation, *Reference Data for Radio Engineers, Second Edition*, J.J. Little & Ives, 1946, p. 180.
- [10] *Publication 268-15, Sound System Equipment*, International Electro-technical Commission, 1978, Part 15, Chapter 11, Section 4 - Preferred Matching Values.
- [11] J. Graeme, G. Tobey, L. Huelsman, *Operational Amplifiers, Design and Applications*, McGraw-Hill, 1971, pp. 201-207.
- [12] R. Morrison, op. cit., pp. 70-75.
- [13] R. Cabot, *Active Balanced Inputs & Outputs*, Sound & Video Contractor, March 15, 1986, pp. 32-34.
- [14] W. Jung, A. Garcia, *Op-Amps in Line Driver and Receiver Circuits, Part 2*, Analog Dialog, 27-1, 1993.
- [15] J. Graeme, G. Tobey, and L. Huelsman, *Operational Amplifiers, Design and Applications*, McGraw-Hill, 1971, p 441.
- [16] R. Morrison, op. cit., p. 58.
- [17] J. Graeme, *Applications of Operational Amplifiers - Third Generation Techniques*, McGraw-Hill, 1973, pp. 53-57.
- [18] C. Perkins, *To Hum or Not to Hum*, Sound & Video Contractor, March 15, 1986, p. 42.
- [19] D. Bohn, *Analog I/O Standards*, Application Note 102, Rane Corporation, 1982.
- [20] C. Motchenbacher, F. Fitchen, *Low-Noise Electronic Design*, John Wiley & Sons, 1973, pp. 34-35.
- [21] Analog Devices, Inc., *SSM-2142 Balanced Line Driver Data Sheet, Rev A*, 1992 Audio/Video Reference Manual, pp. 7-139 to 7-144.
- [22] T. Hay, *Differential Technology in Recording Consoles and the Impact of Transformerless Circuitry on Grounding Technique*, AES 67th Convention Preprint 1723, 1980, p. 9.
- [23] Analog Devices, Inc., op. cit., p. 7-144.
- [24] R. Morrison, op. cit., p. 86.
- [25] J. Brown and B. Whitlock, *Common-Mode to Differential-Mode Conversion in Shielded Twisted-Pair Cables (Shield-Current-Induced Noise)*, Audio Engineering Society 114th Convention, 2003.

- [26] N. Muncy, *Noise Susceptibility in Analog and Digital Signal Processing Systems*, Journal of the Audio Engineering Society, June 1995, pp. 435-453.
- [27] J. Windt, *An Easily Implemented Procedure for Identifying Potential Electromagnetic Compatibility Problems in New Equipment and Existing Systems: The Hummer Test*, Journal of the Audio Engineering Society, June 1995, pp. 484-487.
- [28] B. Whitlock, *Balanced Lines in Audio Systems: Fact, Fiction, and Transformers*, Journal of the Audio Engineering Society, June 1995, pp. 460-462.